

# VERTICAL CUTTING MACHINES

## FOR FLEXIBLE PU FOAM



### MODEL V4/V5/LAB/SPL

The vertical bandsaw type cutting machines from ASE are designed to provide a reliable means of trimming the sides of flexible PU foam blocks, and to resize bigger blocks to the desired sizes as per market requirements

These machines are also used for cutting thick sheets & sofa cushions. The cutting accuracy of these machines is +/- 2mm.

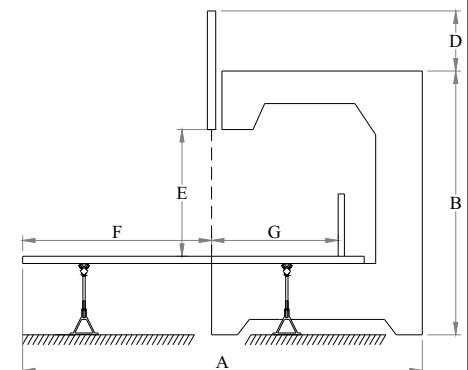
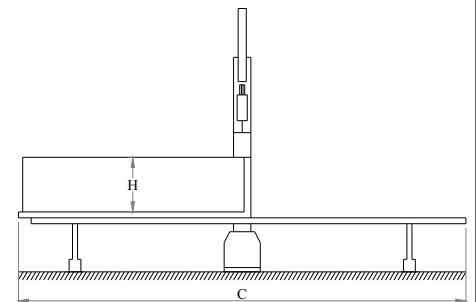
We offer Vertical machines in various standard sizes and also customize the machines as per specific needs of our customs.

#### STANDARD EQUIPMENT:

- Aluminum table top for free movement of P.U. Foam blocks
- Adjustable Rest Plate with position locking mechanism.
- Strong table frame on bearing slides for easy operation.
- Manual emergency break for table.\*
- Slitting section with four balanced blade-wheels.
- Upper and lower band knife guidance.
- Electric blade drive motor
- Motorized grinding attachment with adjustable cup stones.\*

MODEL	A	B	C	D	E	F	G	H
V - 4	3850 mm	2540 mm	5300 mm	490 mm	1400 mm	1825 mm	1220 mm	600 mm
V - 5	5200 mm	2830 mm	5300 mm	490 mm	1700 mm	1825 mm	1825 mm	914 mm
LAB	1400 mm	1565 mm	1850 mm	410 mm	600 mm	650 mm	500 mm	200 mm
V4-SPL	4900 mm	1690 mm	6280 mm	150 mm	350 mm	1825 mm	1530 mm	220 mm

SPECIFICATION	MODEL V-4	MODEL V-5	MODEL-LAB	MODEL - V4-SPL
CUTTING HEIGHT	1400 mm	1700 mm	600 mm	350 mm
CUTTING LENGTH	2200 mm	2200 mm	1000mm	2900 mm
POWER REQUIRED	2.25 hp	3.25 hp	1hp	3.25 hp
SPACE REQUIRED	4.2x5.5 m	5.5x5.5 m	2x3 m	5.5x6.5 m
APPOX. WEIGHT	1200 kg.	2000 kg.	400 kg.	1500 kg.



#### POWER SUPPLY : 410V AC 50Hz

\* These features are not part of the lab model machine.

**A.S. ENTERPRISES**  
An ISO 9001:2008 Certified Company

Khasra No. 28/23/2, Village Badli, Delhi-110042 (INDIA), Ph.: +91-11-27857561, 27855570 Fax: +91-11-27853498  
URL: [www.as-enterprises.com](http://www.as-enterprises.com) • [www.foamconsultant.com](http://www.foamconsultant.com), E-mail: [ase@bol.net.in](mailto:ase@bol.net.in) • [asedelhi@gmail.com](mailto:asedelhi@gmail.com)

**INDIA'S LARGEST MANUFACTURERS & EXPORTERS OF POLYURETHANE FOAM MACHINES**

The company policy aims at continuous improvement of the products, and therefore all rights to change the design and specifications without notice are reserved.  
Pictures are only suggestive, actual product may look different.